

Installation Manual

HONDA FR-V 5DR
HON-FRV-5-A



COMPONENTS INCLUDED



Installation

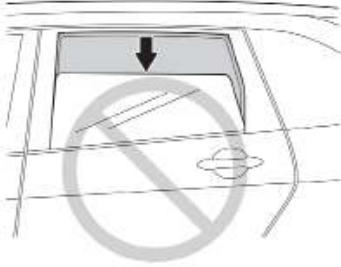
HONDA FR-V 5DR

HON-FRV-5-A



CAUTION

- Do not move the rear door window glass during driving.



9901030K

- The sunshade can come off unless it is installed on the clip securely.
- Sunshade must not be used during the hours of darkness.
- To allow the adhesive to "cure", do not install the sunshade for 24 hours; if not the clips will not reach their maximum adhesive strength and could be lost.

TOOLS AND SUPPLIES REQUIRED

- Scale
- Felt-tip pen

INSTALLATION

Before You Begin:

- In these instructions, the illustrations show the left side sunshade being installed. The same procedure applies to the right side sunshade.
- This kit should only be installed if the ambient air temperature is 15°C (60°F) or above. Heat the bonding surfaces with a hair dryer set on LOW when the ambient air temperature is below 15°C (60°F).
- Before attaching the sunshades, thoroughly clean the bonding surfaces with a cleaner.
- Be extremely careful not to damage the body paint finish.

Installation

HONDA FR-V 5DR

HON-FRV-5-A

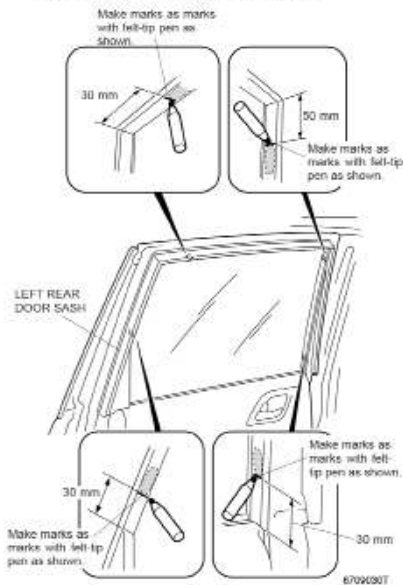
REAR DOOR

Installing the Clip

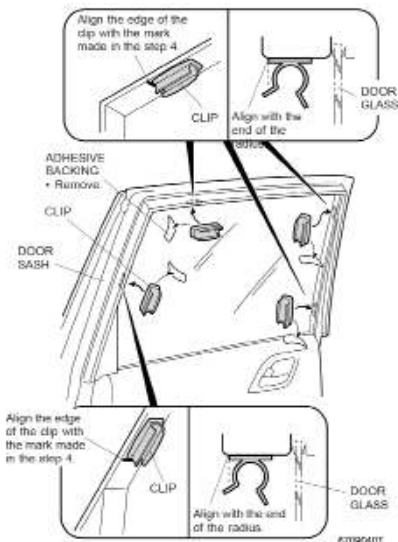
1. Open the left rear door.
2. Check the positions where the clip are installed and clean the surfaces with the cleaner provided from the kit.



3. Measure each clip installation position to the dimensions shown.
4. Mark with a felt-tip pen the position of the measured dimension of the door sash.



5. Remove the adhesive backing from each clip.
6. Align the edge of the clip with the mark on the door sash, and attach the clip on the sash.
 - Hold the adhesive tape of the clip back side firmly against the door sash for 15 seconds after attaching the clip.



7. Repeat the procedure to install the clip on the right side.

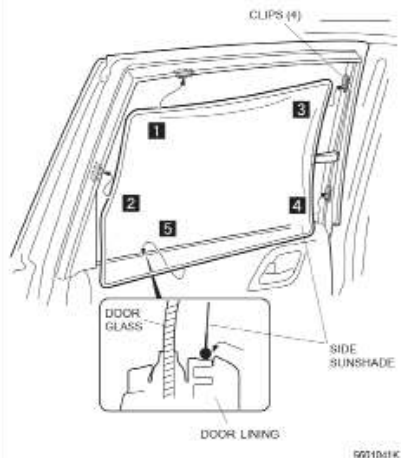
Installation

HONDA FR-V 5DR

HON-FRV-5-A

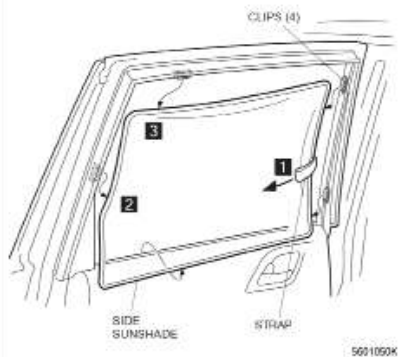
Installing the Side Sunshade

1. Install the sunshade on the clips in the numbered sequence of **1** through **4**.
2. Secure the sunshade by pushing it in the point of **5**.



Removing the Side Sunshade

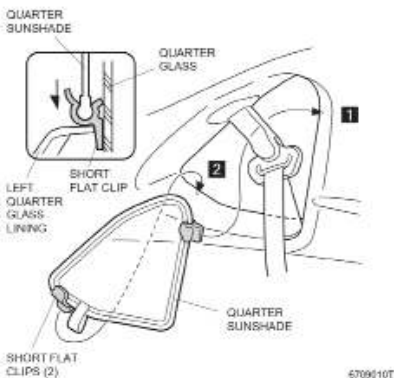
1. Holding the strap **1**, release the sunshade from the clips.
2. Release the sunshade from the clips in the numbered sequence of **2** through **3**.



■ QUARTER GLASS

Installing the Quarter Sunshade

1. Install the two short flat clips on the quarter sunshade as shown.
2. Insert the two short flat clips into the gap between the glass and lining in the numbered sequence of **1** through **2**.



3. Repeat the procedure to install the quarter sunshade on the right side.
4. Remove the sunshades in the reverse order of installation.

ADVICE

After removing the sunshades, store the sunshades and flat clips in a bag.

Installation

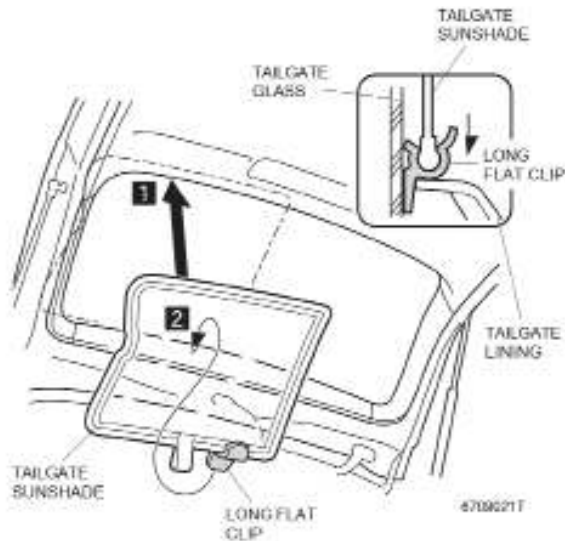
HONDA FR-V 5DR

HON-FRV-5-A

■ TAILGATE

Installing the Tailgate Sunshade

1. Open the tailgate.
2. Install the long flat clip on the tailgate sunshade as shown.
3. Insert the long flat clip into the gap between the glass and lining in the numbered sequence of **1** through **2**.



4. Repeat the procedure to install the tailgate sunshade on the right side.
5. Remove the sunshades in the reverse order of installation.



ADVICE

After removing the sunshades, store the sunshades and flat clips in a bag.