

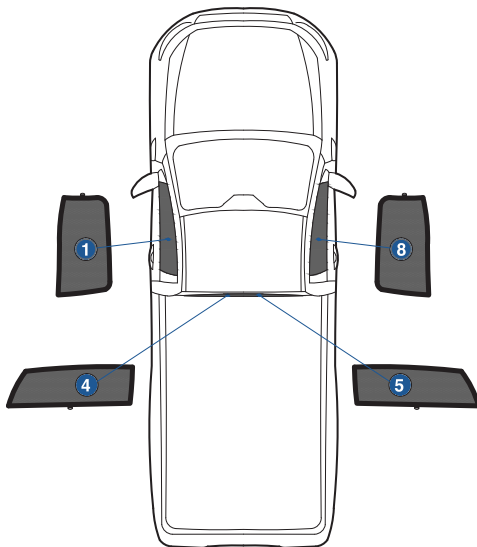
# Installation Manual

**FORD RANGER 4 4DR**  
**FOR-RANG-4-D**



## COMPONENTS INCLUDED

## SHADES



## FIXING CLIPS



**CL-M05 x 4**



**CL-M14 x 1**



**CL-M02 x 4**



**CL-T01 x 1**

# Side Shade Installation

FORD RANGER 4 4DR  
FOR-RANG-4-D

## COMPONENTS NEEDED:



### STEP #1

INSERT CLIPS INSIDE WEATHERSTRIP



### STEP #2

POSITION THE SIDE SHADE



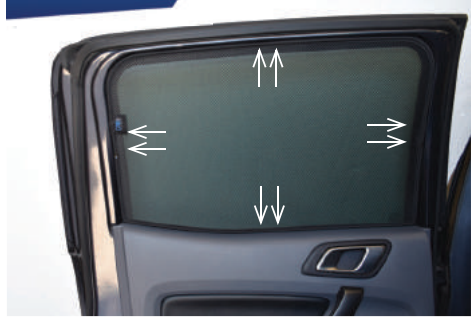
### STEP #3

ATTACH SIDE SHADE BEHIND CLIPS



### STEP #4

ENSURE SECURELY FITTED IN PLACE

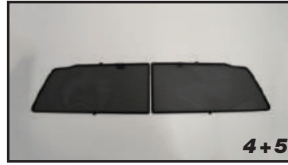


**CAR**<sup>®</sup>  
SHADES

# Rear Shade Installation

FORD RANGER 4 4DR  
FOR-RANG-4-D

## COMPONENTS NEEDED:



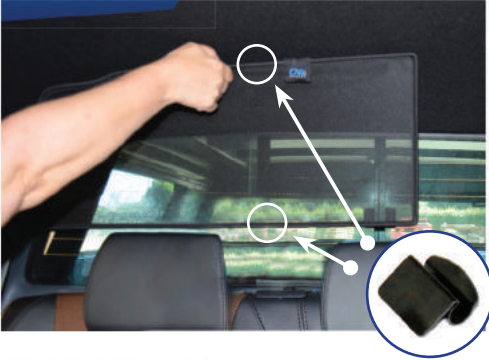
CL-M02 x 4



CL-M14 x 1

### STEP #1

ATTACH CLIPS ON SHADE EDGES



### STEP #3

INSERT CLIPS BEHIND INTERIOR TRIM



### STEP #2

POSITION THE REAR SHADE



### STEP #4

REPEAT THE PROCESS ON OTHER SHADE



### STEP #5

ENSURE SECURELY FITTED IN PLACE



**CAR**  
SHADES